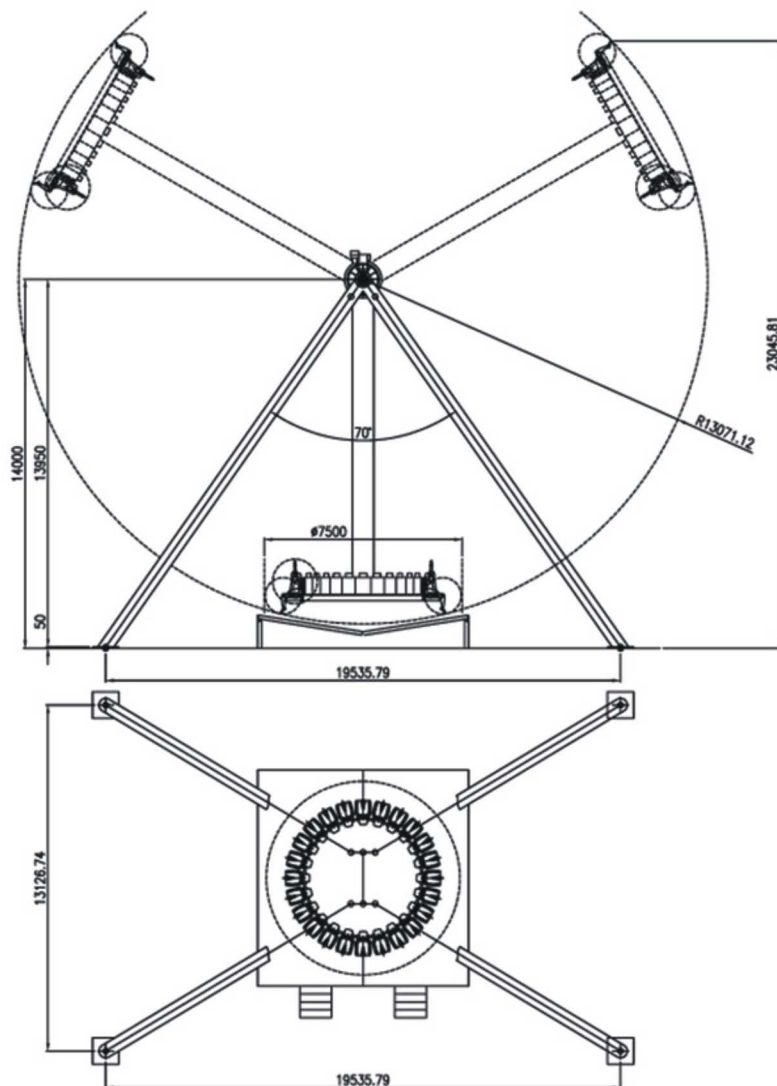


This ride is the parkversion of the Streetfighter pendulum ride, . also here a ride which gives lots of emotions to the people. The passengers are facing outward and have their legs dangling. Special and impressive is the fact that the ride reaches a height of 23 meters making an angle of 120° while rotating. Rides with these dimensions often only reach a 90° angle!



## TYPHOON

<b>Park model</b>	Available
<b>Road model</b>	Available
<b>Height:</b>	23 mt (75,4 ft)
<b>Width:</b>	20,5 mt (67,2 ft)
<b>Depth:</b>	14,5 mt (47,5 ft)
<b>Lanes:</b>	1 car, 24 passengers
<b>Loading:</b>	Simultaneous
<b>Estimated capacity:</b>	700 passengers/hour
<b>Requirement for city line connection:</b>	250 KW
<b>Voltage:</b>	380 V ± 5% 3 Ph. + N (other versions on request)
<b>Frequency:</b>	50/60 Hz ± 2%
<b>Trasport road model:</b>	2 semitrailers 16,5 mt (54 ft)